

DWG NO.

DO NOT SCALE

METRIC

3rd ANGLE PROJECTION

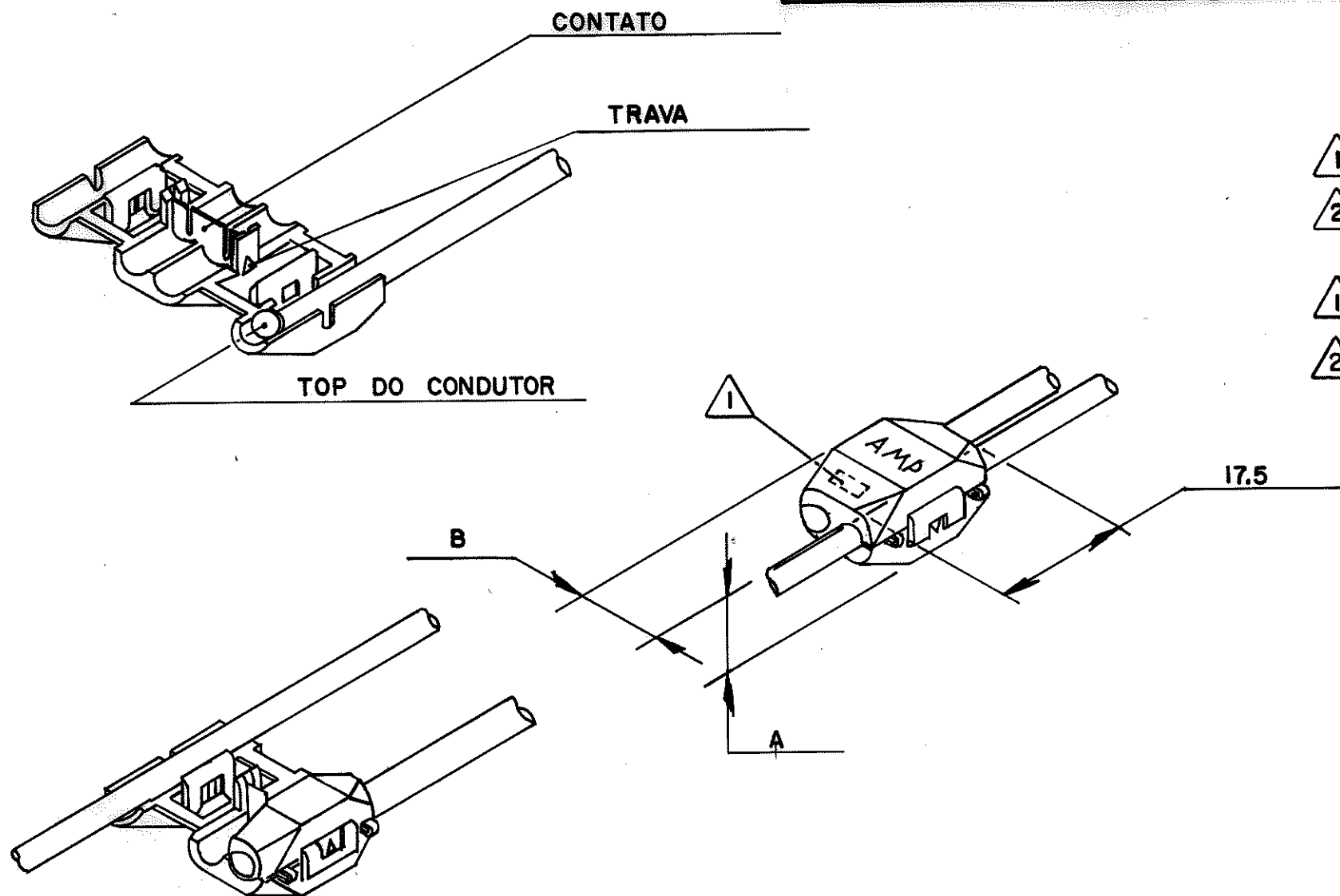
REQ. PER ASSY

ITEM

DESCRIPTION

MATERIAL

FINISH



- 1 GRAVAR BITOLA DE FIOS DE ACORDO COM TABELA ABAIXO.
- 2 ETIQUETA PN 493294-1 APENAS PARA PMSP.
- 1 ENGRAVE WIRE DIMENSION ACC. TO TABLE BELLOW.
- 2 LABEL PN 493294-1 ONLY FOR PMSP.

↑	↑	↑	05 - 0,8	RED	↑	↑	626437-4
↑	↑	↑	↑	BLACK	NYLON 6/6 UV PROTECTED	↑	626437-3 2
12,6	10,0	4	1,0 - 2,5	BLUE	NYLON 6/6	TIN BRASS	626437-2
B	A	Ø MAX. ISOLATING (mm)	WIRE DIM. mm ² 1	COLOUR	ISOLATOR	CONTACT	PART NUMBER

CUSTOMER DWG
for REFERENCE ONLY

THIS DRAWING IS UNPUBLISHED RELEASED FOR PUBLICATION
© COPYRIGHT 19 BY AMP DO BRASIL LTDA S.P. ALL INTERNATIONAL RIGHTS RESERVED AMP PRODUCTS MAY BE COVERED BY U.S. AND FOREIGN PATENTS AND/OR PATENTS PENDING.

TOLERANCES UNLESS OTHERWISE STATED
DEC. ± 1.0
ANGLES ± 1°

DR. 04 DEC 97
C.A.FERNANDES

CHK. J.A.VIEIRA 15 Jan 98
DESCRIPTION
ELECTRO-TAP

APP. J.A.LA SALVIA
DWG NO. C 626437
SHEET 1 OF 1

E	REVISED BY LE.10.0445/04	H.C.	21 JAN 05
D	REVISED BY LE.10.0277/04	H.C.	28 SEP 04
C	REDRAW LBOO 437/97	C.A.F.	4.12.97
ISS	REVISION	RECORD	ECN
DR	CHK	DATE	APP.